

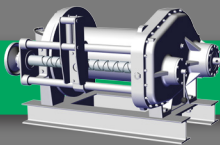
# BRADEN<sup>®</sup>

A PACCAR COMPANY

## BP200 Cable Puller

20,000 lbs (9,072 kg)

### FEATURES & BENEFITS



- Level-wind system for improved cable spooling
- Adjustable low-drag free spool system for pulling off cable manually
- Compact design and simple installation
- Two-speed motor for low speed power and feathering control

### APPLICATIONS

- Utility

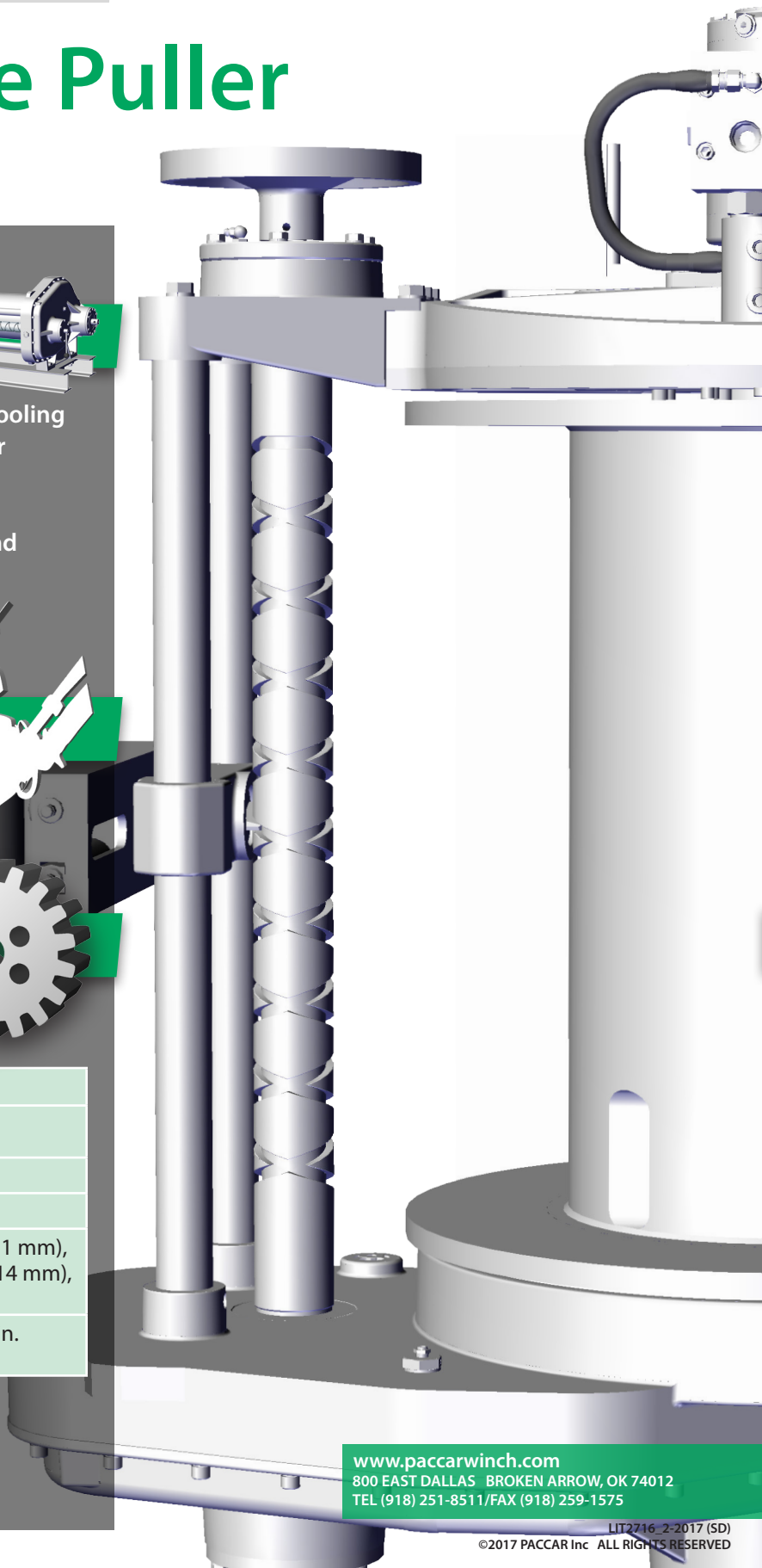


### SPECS & OPTIONS



<b>Gear Ratios</b>	23:1
<b>Unit Weight</b>	~1,750 lbs (Depending on Configuration)
<b>Motors</b>	2 speed motor
<b>Drum sizes (inches)</b>	12.75B x 22.75F x 23.93L
<b>Rope diameters</b>	3/8 in (10 mm), 7/16 in (11 mm), 1/2 in (13 mm), 9/16 in (14 mm), 5/8 in (16 mm)
<b>Rope storage</b>	1,537 ft (468 m) for 9/16 in. (Consult factory for other rope capacities)

Consult factory for additional options.



[www.paccarwinch.com](http://www.paccarwinch.com)  
800 EAST DALLAS BROKEN ARROW, OK 74012  
TEL (918) 251-8511/FAX (918) 259-1575

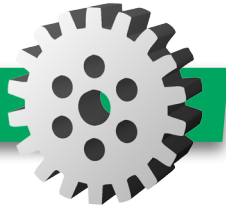
# BRADEN®

A PACCAR COMPANY

## BP200 Cable Puller

20,000 lbs (9,072 kg)

### PERFORMANCE



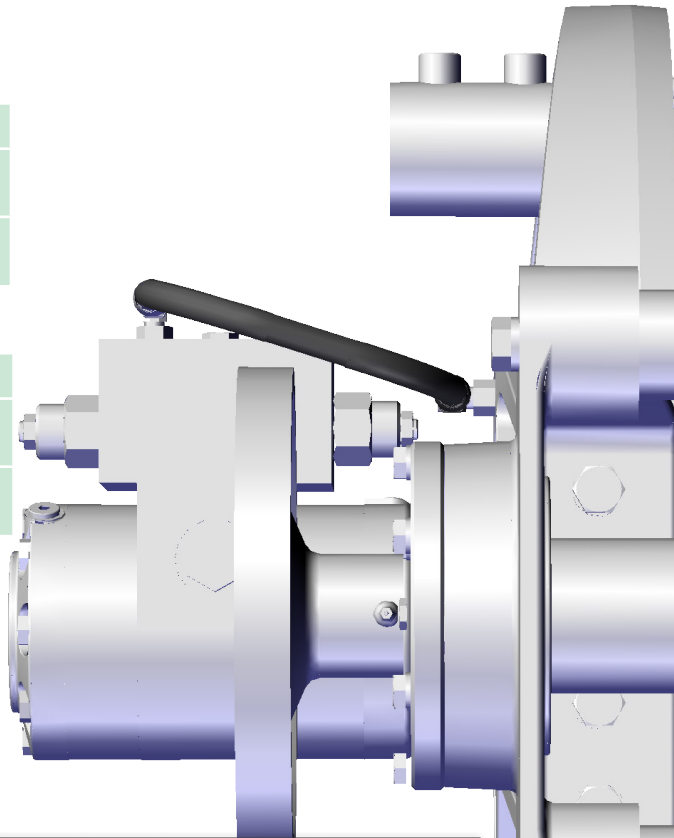
#### Low Speed (BP200B-23212/106-9/16-46)

	Layer 1	Layer 2	Layer 3	Layer 4
<b>Line Pull*</b> lbs (kg)	20,000 lbs (9,100 kg)	18,450 lbs (8,370 kg)	17,100 lbs (7,760 kg)	16,000 lbs (7,260 kg)
<b>Line Speed*</b> fpm (mpm)	44 fpm (13 mpm)	48 fpm (15 mpm)	52 fpm (16 mpm)	55 fpm (17 mpm)

#### High Speed (BP200B-23212/106-9/16-46)

	Layer 1	Layer 2	Layer 3	Layer 4
<b>Line Pull*</b> lbs (kg)	9,900 lbs (4,500 kg)	9,100 lbs (4,130 kg)	8,450 lbs (3,830 kg)	7,850 lbs (3,560 kg)
<b>Line Speed*</b> fpm (mpm)	88 fpm (27 mpm)	96 fpm (29 mpm)	104 fpm (32 mpm)	111 fpm (34 mpm)

\*Based on pressure of 2,500 psi (172 bar), flow of 30 gpm (113 lpm) and 9/16 in (14 mm) rope. Performance will vary dependent on hydraulic system, motor, drum and cable sizes.



### DIMENSIONS

